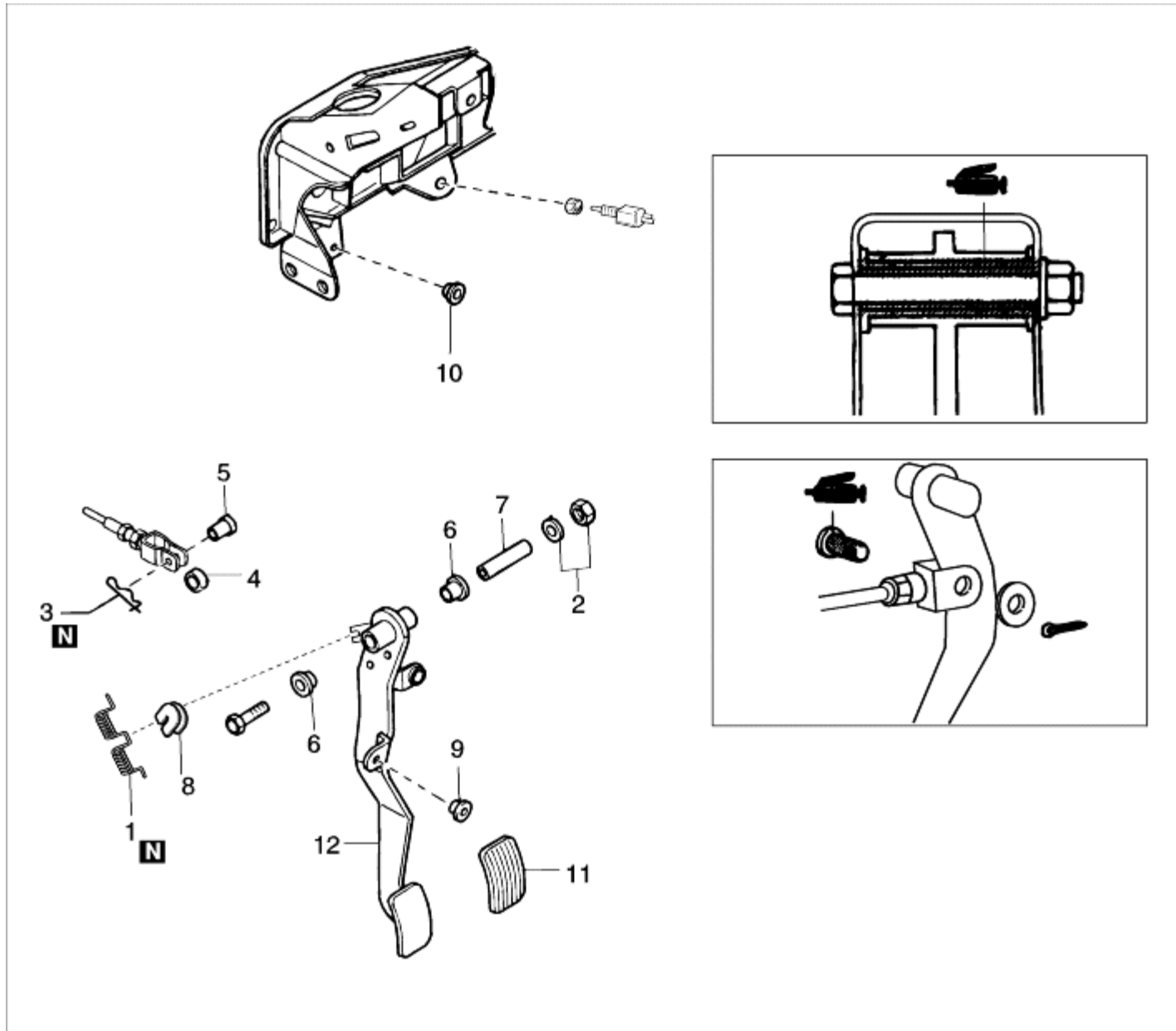


## COMPONENTS



### [Removal procedure]

- |                   |                      |
|-------------------|----------------------|
| 1. Clutch spring  | 8. Spring cover      |
| 2. Nut and washer | 9. Bushing           |
| 3. Cotter pin     | 10. Rubber stopper   |
| 4. Washer         | 11. Clutch pedal pad |
| 5. Clevis pin     | 12. Clutch pedal     |
| 6. Bushing        |                      |
| 7. Spacer         |                      |

### NOTE

(1) : **[N]** Non-reusable parts