

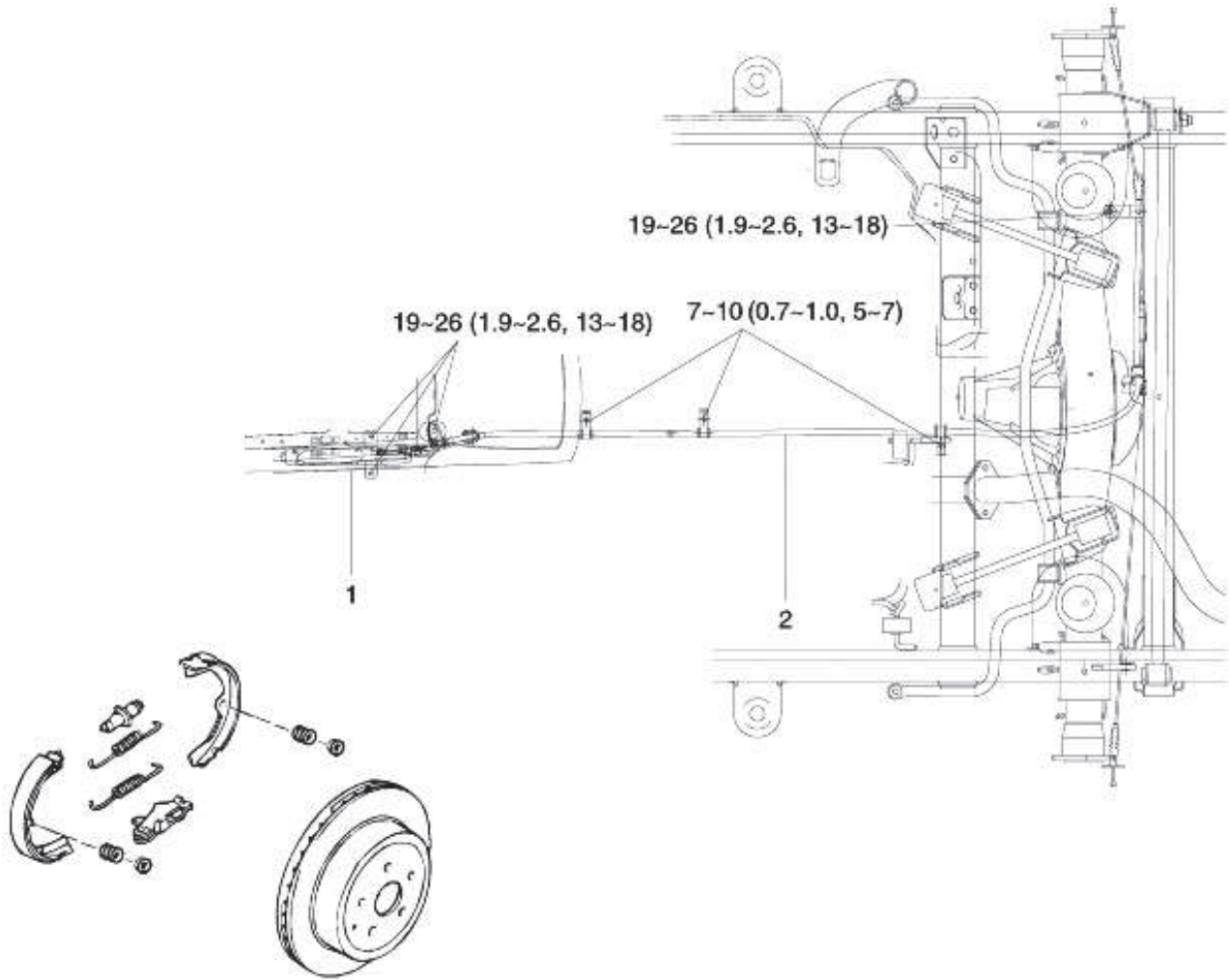


Brake System

Parking Brake System - Parking Brake
Assembly



COMPONENT



TORQUE : N·m (kg·m, lb·ft)

1. Parking brake lever
2. Parking brake cable



REMOVAL (LEVER)

1. Remove the console
2. Loosen the lever adjusting nut
3. Detach the cable from the lever
4. Remove the lever mounting bolts and nuts
5. Disconnect the parking brake switch connector

REMOVAL (CABLE)

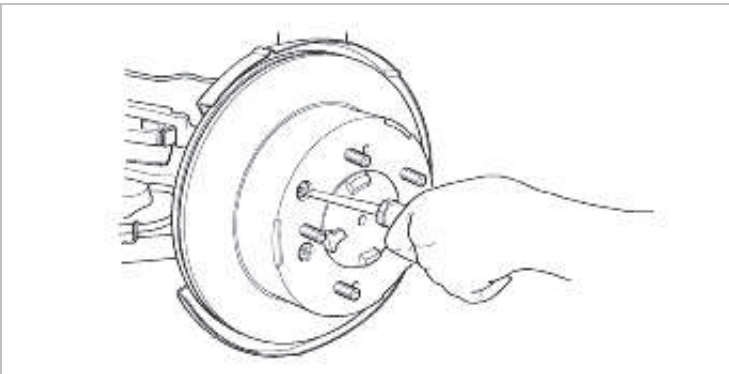
1. Remove the console
2. Loosen the lever adjusting nut
3. Detach the cable from the lever
4. Remove the cable clip which connect the cable to the body and install the axle housing
5. Remove the parking cable from the operating lever

REMOVAL (BRAKE SHOE)

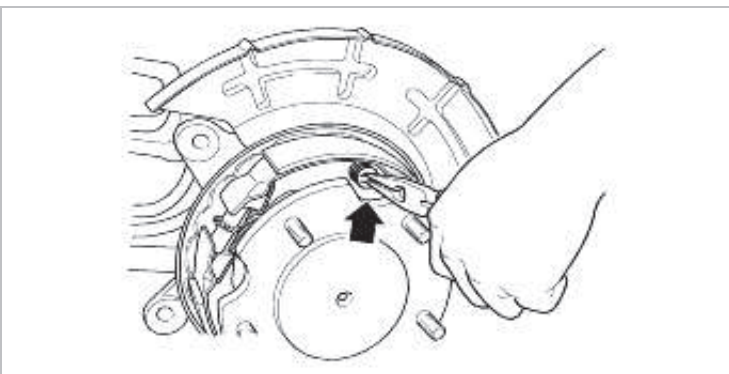
1. Remove rear disk caliper assembly.(Refer to "Rear disk brake")
2. Before removing the brake disk, chalk both sides of the screw.

NOTICE

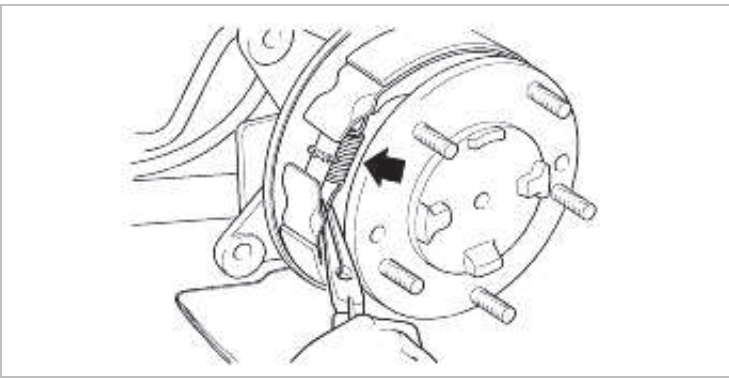
Reduce the shoe gap by turning the adjuster with appropriate tool.



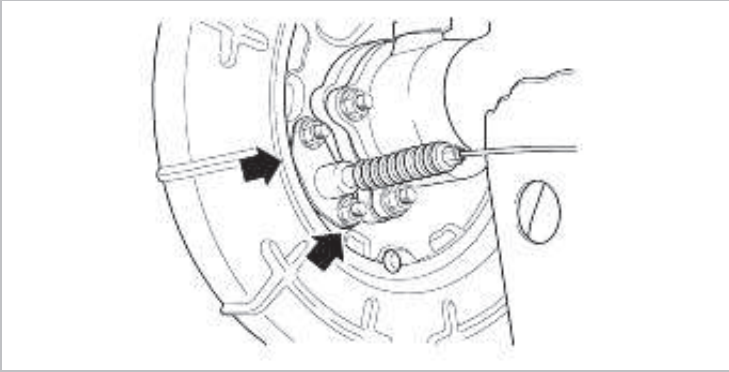
3. After turning the pin to coincide with hole of spring cap, remove the shoe hold spring.



4. Remove the lower return spring.



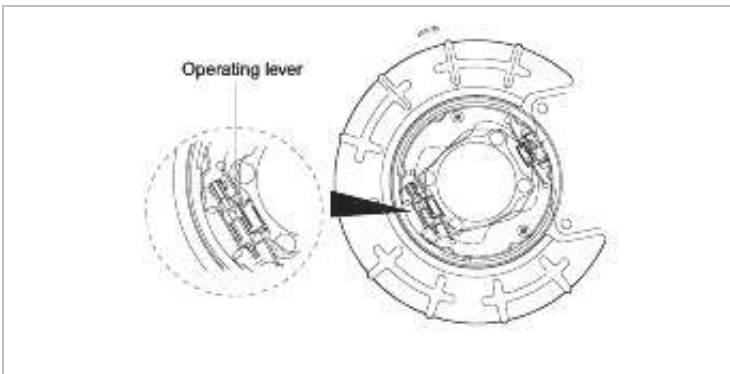
5. Remove the parking brake cable mounting nuts.



6. Remove the parking brake shoes.

ASSEMBLY (BRAKE SHOE)

1. Install the parking brake cable to the operating lever and then install the operating lever as shown in the figure.

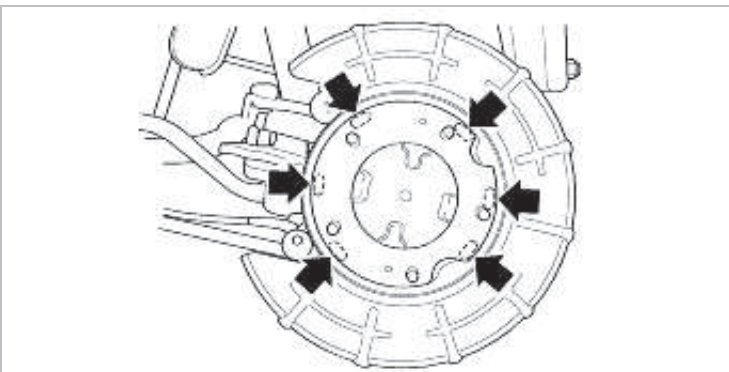


2. Tighten the parking brake cable mounting nuts.

Tightening torque

47-54 N·m (4.7-5.4 kg·m, 34-39 lb·ft)

3. Apply the grease to the area in the figure.



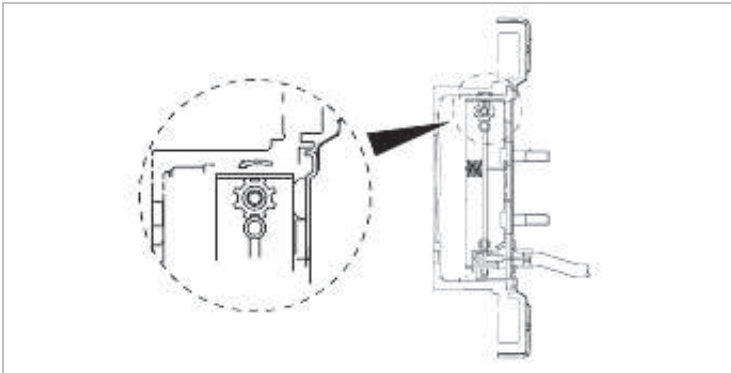
4. Install the upper return spring and brake shoes
5. Turn the adjuster in clockwise direction and install.

NOTICE

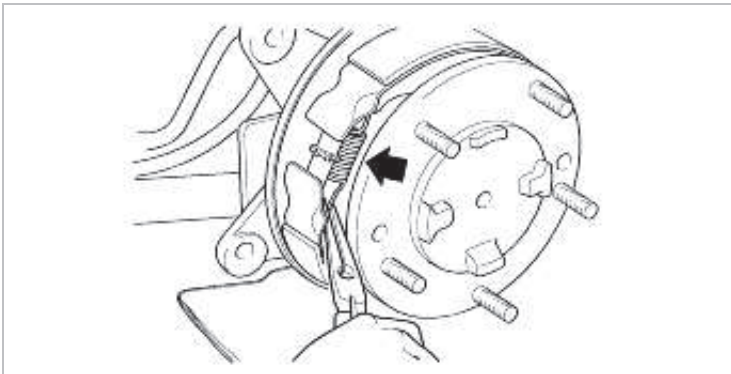
Direction of adjuster turn

Clockwise : narrowing the shoe gap.

Counterclockwise : widen the shoe gap.



6. Install the lower return spring.



7. Install the shoe hold spring with a plier.

8. Install the disk brake and then align the mark while tightening the screw.

INSPECTION

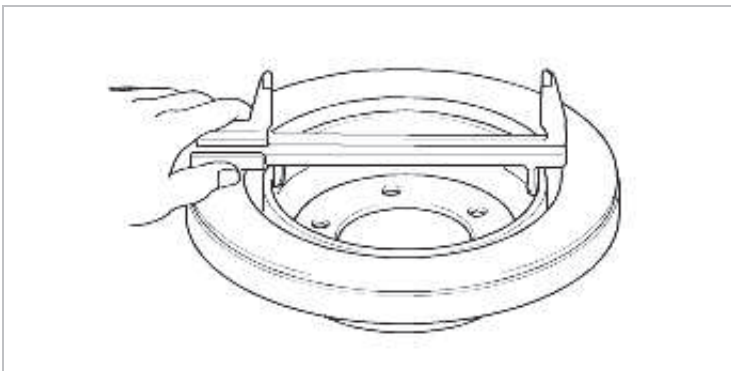
1. Measure the drum inside diameter.

Standard value : 190mm (7.48 in.)

Service limit : 191mm (7.52 in.)

CAUTION

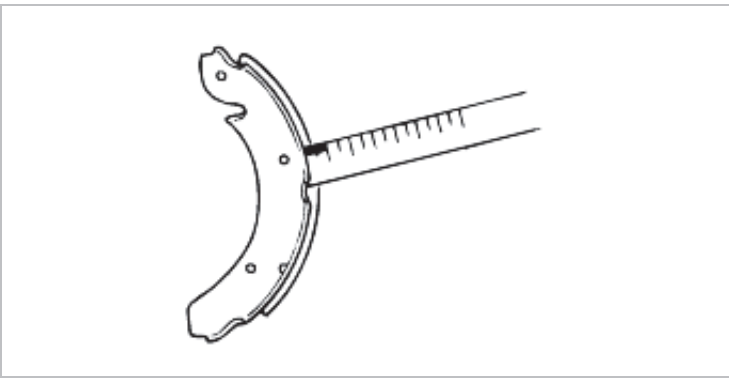
If the brake drum inner diameter is greater than the service limit, replace the brake drum.



2. Measure the brake lining thickness.

Standard value : 4mm (0.157 in.)

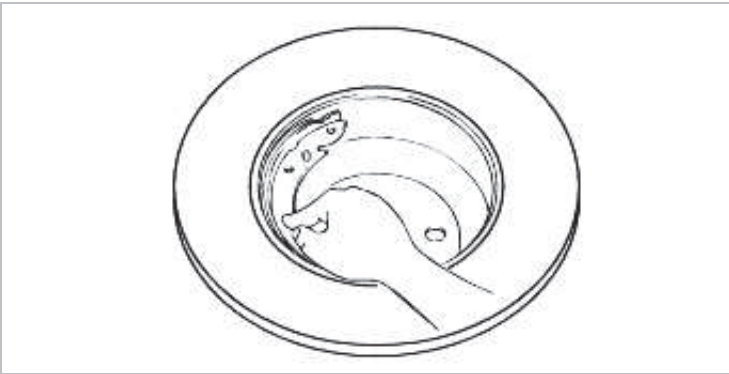
Service limit : 1.5mm (0.059 in.)



CAUTION

If the brake lining thickness is less than the service limit, replace the brake lining.

3. Inspect the brake lining and drum for proper contact.

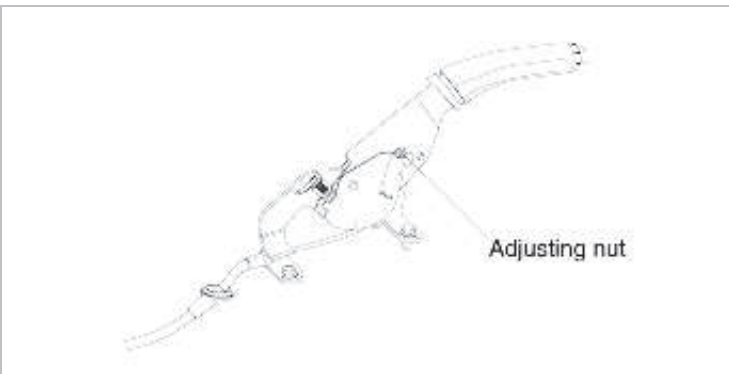


ADJUSTMENT PROCEDURE

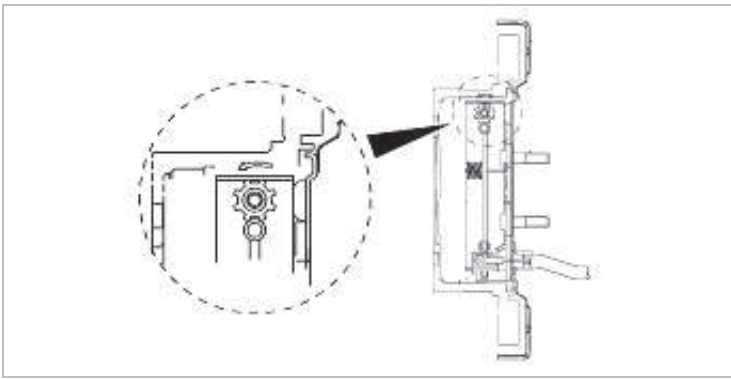
Parking brake stroke adjustment

1. Pull the brake lever with force of 100N (10kg, 22lbs) and count the number of notches.

Parking brake stroke
Standard value : 4 ~ 6 clicks



2. If the parking brake stroke is out of the standard value, adjust it as follows :
 - (1) Loosen the adjusting nut to release the parking brake cable.
 - (2) Remove the adjusting hole plug, and then turn the adjuster in the direction of the arrow. To prevent the disc from rotating, use a screwdriver (flat tip (-)).



- (3) Turn the adjuster 5 notches in the opposite direction of arrow.
- (4) Turn the adjuster nut to adjust the parking brake stroke to the specification.

CAUTION

If the number of parking brake notches is less than the specification, loosen the adjusting nut and readjust.

- (5) After adjusting the parking brake stroke, raise the rear of vehicle with a jack.
- (6) Check that the rear brakes do not drag by turning the rear wheel when the parking brake lever is released.

PARKING BRAKE BED-IN (DIH)

1. When the parking brake lever is pulled with force of 15 kg(f), drive the vehicle 500m at 60 kph, or accelerate to 60 kph on a roll device.
2. Repeat step 1 more than 2 times.
3. Parking should be possible on a hill of 30% with gross vehicle weight.

NOTICE

- BED-IN : Procedure of operating the vehicle with parking brakes active for the purpose of setting the position of the brake pads.
- DIH (Drum in hat) : Disk brake type parking system.