

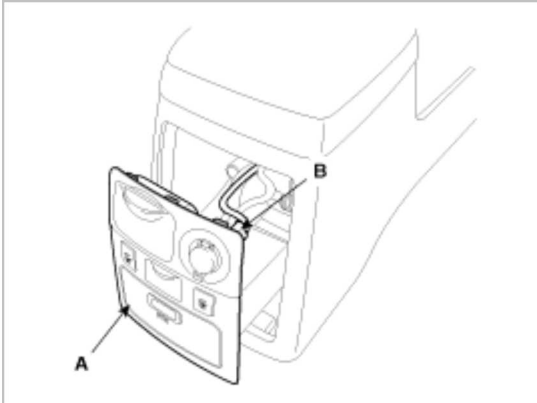
## REPLACEMENT

### FLOOR CONSOLE REPLACEMENT

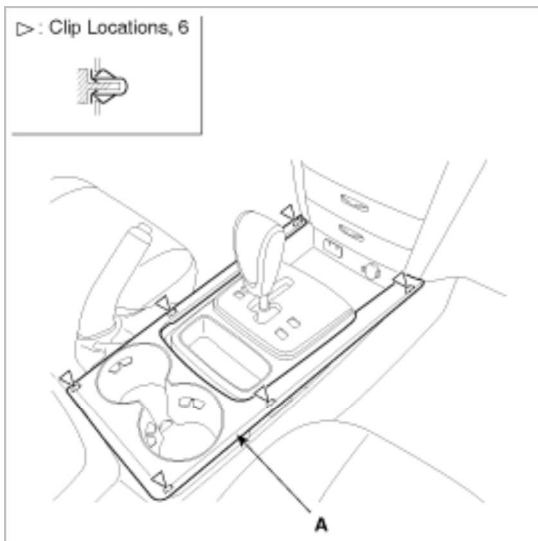
#### NOTICE

- a. When prying with a flat-tipped screwdriver, wrap it with protective tape, and apply protective tape around the related parts, to prevent damaged.
- b. Put on gloves to protect your hands.

1. Remove the console lid cover (A).
2. Disconnect the connector (B).



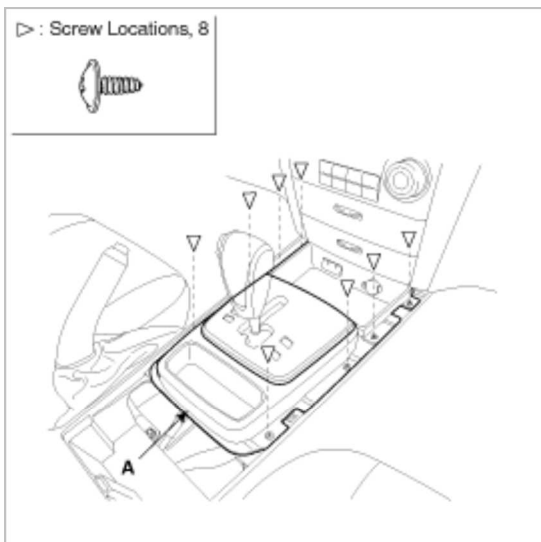
3. Remove the deco upper panel (A).



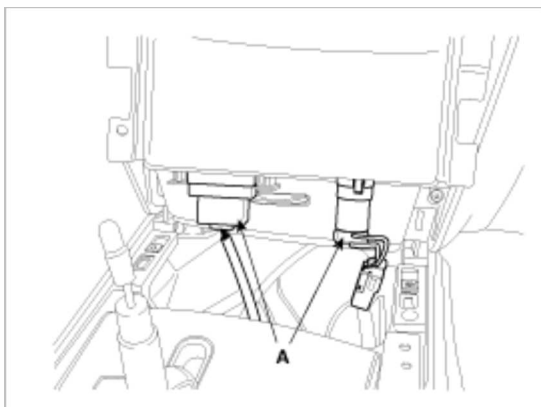
4. Remove the console storage box (A).



5. Remove the console upper cover (A).

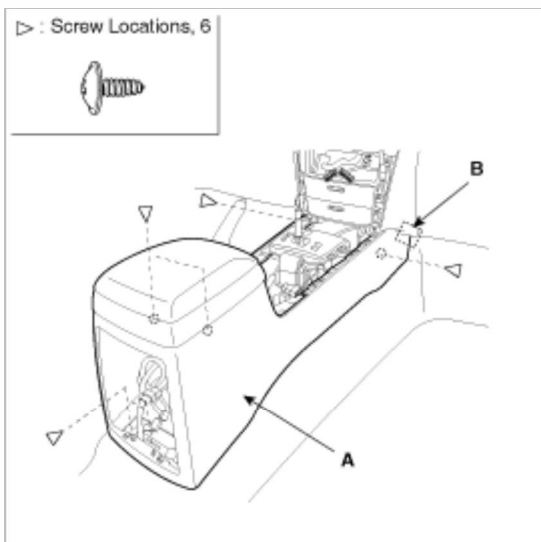


6. Disconnect the connector (A).



7. After loosening the console mounting screw, remove the floor console side cover (A).

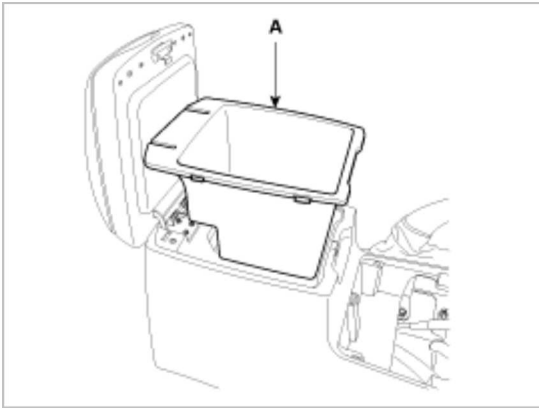
8. Disconnect the connector (B).



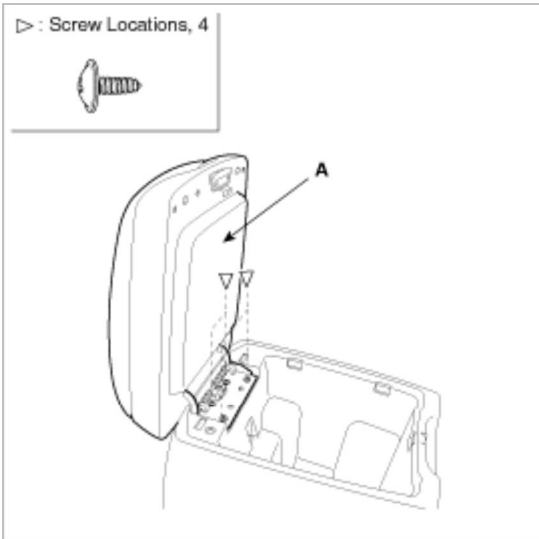
9. Installation is the reverse of removal.

## ARMREST REPLACEMENT

1. Remove the console storage box (A).



2. After loosening the armrest mounting nuts, remove the armrest (A).



3. Installation is the reverse of removal.